

BWImplement Co.

288 W. FRONT STREET
P.O. BOX 758
BUTTONWILLOW, CA 93206
PHONE 661-764-5254
FAX 661-764-5253
www.bwimp.com



SB3-60

44" Bed Tops
16" V-Bottoms

Version: 12.2.09

Operators Manual

Sled Information:

Serial #: _____

Date Manufactured: _____

Row Centers: _____ 60" _____

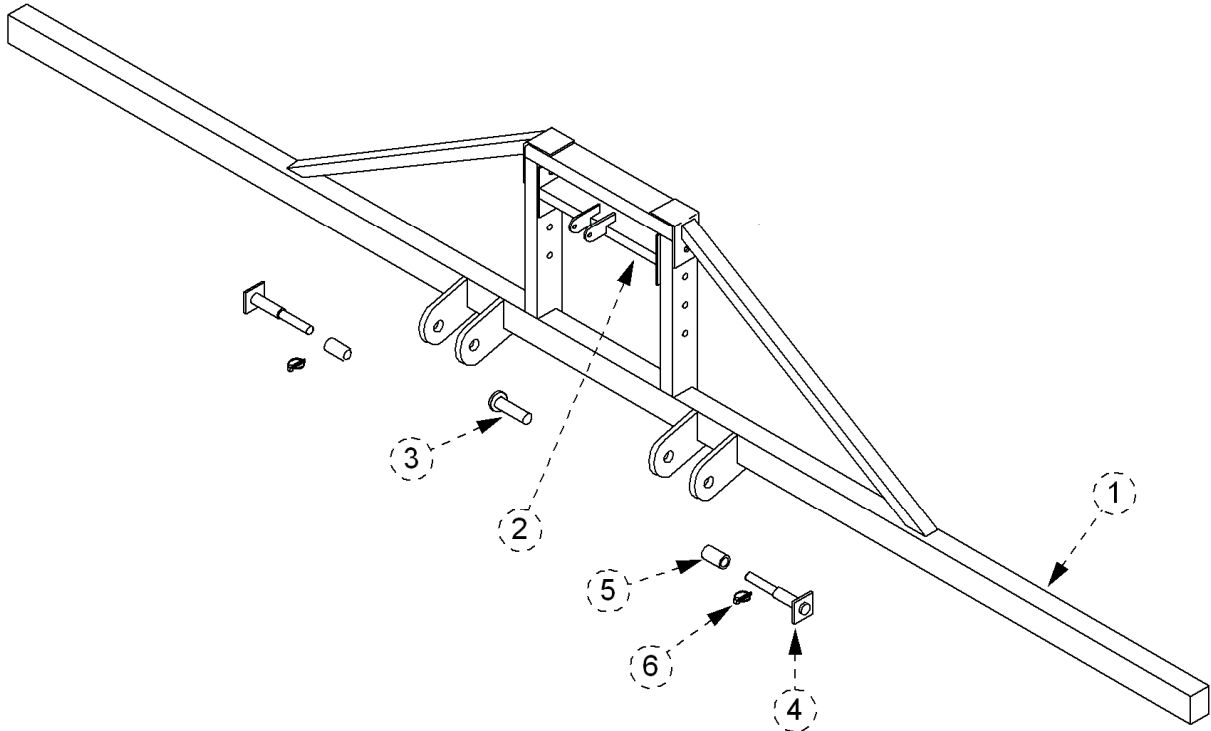
Bed Top: _____ 44" _____

Furrow Width: _____ 16" _____

Row Height: _____ 8" _____

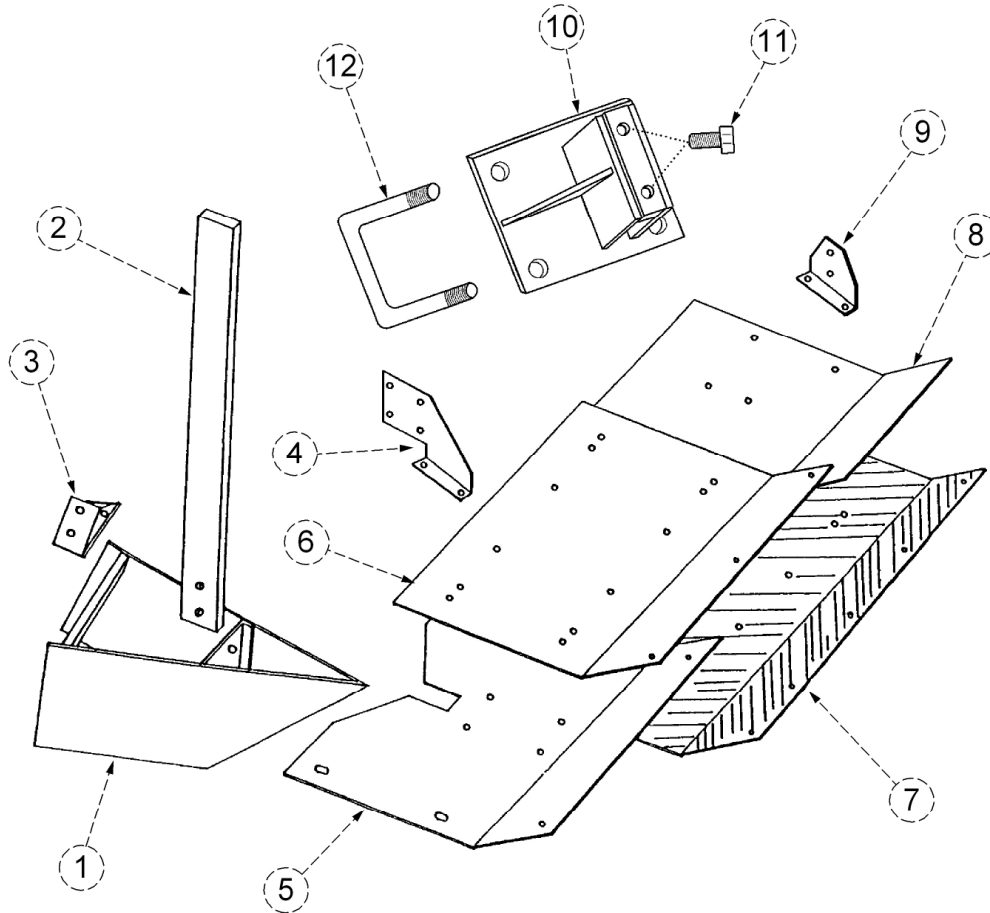
Hitch Category: _____ CAT II-III _____

Frame Assembly



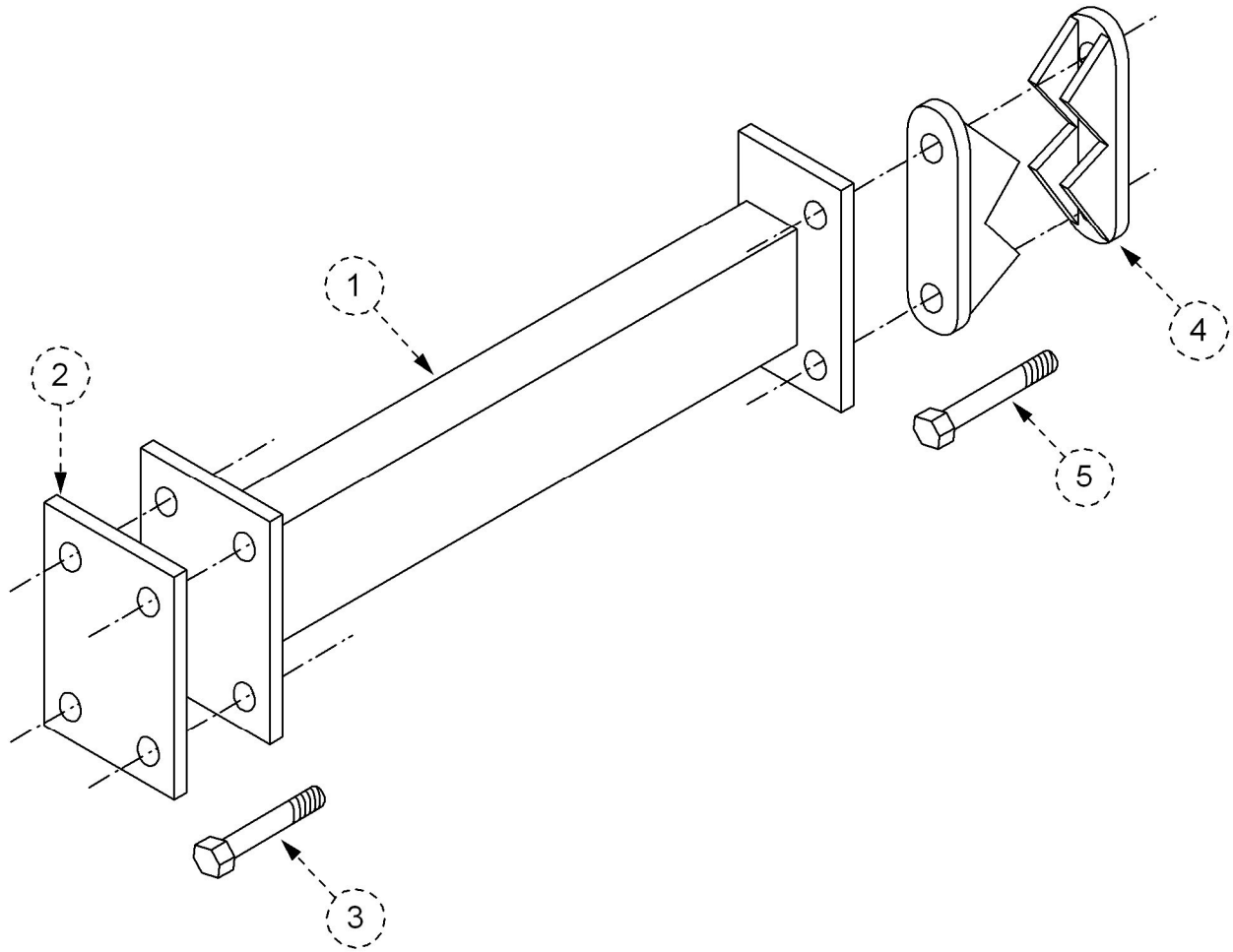
Ref.	Part No.	Description
1	SB-210	Main Frame
2	4401-3	3 rd Point Top Hitch 2 – 3/4" x 3 1/2" Cap Screw 2 – 3/4" x 4" Cap Screw
3	4000-107	Top 3 rd Point Pin – CAT II
4	4000-109	Hitch Pin – CAT II & III
5	4000-108	Hitch Pin Bushing
6	1405-120	Lynch Pin

Bed Formers



Ref.	Part No.	Description
1	7000-701-CR	Furrow Bottom – Chrome
2	7000-703	Standard
3	7000-7005 7000-7006	California Bracket – LH California Bracket – RH
4	7000-704 7000-706	Bed Plate Bracket – LH Bed Plate Bracket – RH
5	7000-712	Furrow Plate
6	7000-715	Bed Plate
7	7000-2457	UHMW Wear Plate
8	7000-324	Center Bed Plate
9	7000-304	Center Plate Bracket
10	2400-503 2400-503C	Clamp – 1” x 3” Center Clamp – 1” x 3”
11	6000-220	Set Screw
12	1400-3404	U-Bolt

Tool Bar Extension



Ref.	Part No.	Description
1	6000-260-24	Tool Bar Extension – 24”
2	6000-261	Extension Mount Plate
3	-----	5/8” x 6” Hex Bolt
4	W-1	2 1/4” Clamp, Half
5	-----	1” x 7” Hex Bolt