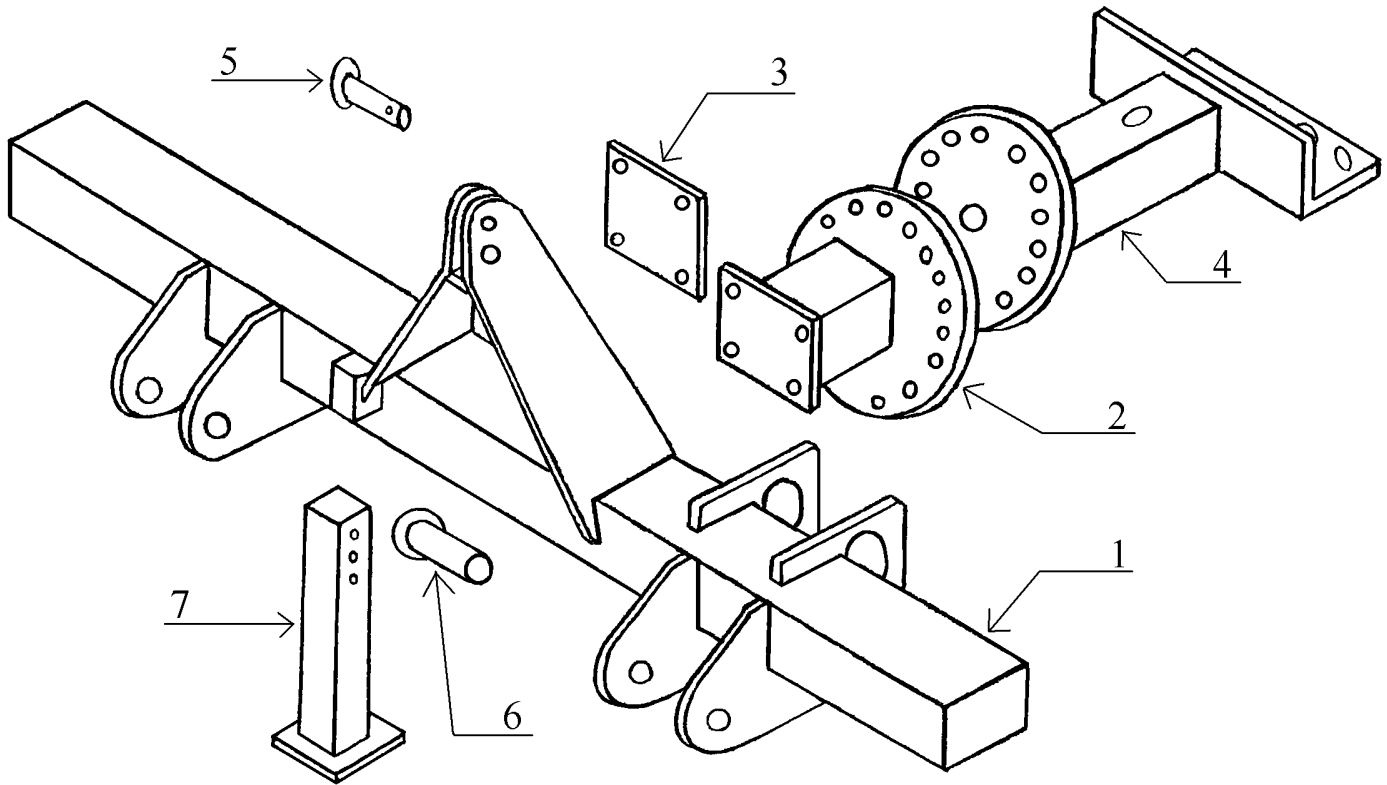


## 3 POINT RIDGER & BLOCKER



Ref.	Part No.	Description
1	BE2201	3 Blade Main Frame – 1 Req.
	BE2201B	3 Blade Main Frame w/ Blocker – 1 Req.
	BE4202	4 Blade Main Frame – 1 Req.
	BE4202B	4 Blade Main Frame w/ Blocker – 1 Req.
2	BE2203	3 Blade Main Mounting Bracket – 2 Req.
	BE2203	4 Blade Main Mounting Bracket – 2 Req.
3	BE2205	Main Mounting Plates – 2 Req.
4	BE2206	Tilting Mounting Brackets – 2 Req.
5	185114	Top Mast Pin CAT II – 1 Req.
6	185115	Lower Pull Pin CAT II – 2 Req.
7	BE2207	Blocker Stand – 1 Req.