

BWImplement Co.

288 W. FRONT STREET
P.O. BOX 758
BUTTONWILLOW, CA 93206
PHONE 661-764-5254
FAX 661-764-5253
www.bwimp.com



LB6-40

5" x 7" Bar
Gauge Wheels
Row Marker

Version: 4.30.10

Operators Manual

Lister Bar Information:

Serial #: _____

Date Manufactured: _____

Bar Size: _____ 5" x 7" _____

Lister Centers: _____ 40" _____

Lister Size: _____ Standard _____

Hitch Category: _____ CAT III _____

Gauge Wheels: _____ Yes _____

Row Markers: _____ Yes _____

BW IMPLEMENT COMPANY WARRANTY

LIMITED WARRANTY STATEMENT

BW Implement Company warrants to the original purchaser all new Culti-Mulch Equipment, along with attachments, to its authorized dealers and they in turn warrant the equipment to the original retail purchaser to be free from defects in material and workmanship under normal use and service for which intended for a period of one (1) season or one thousand (1000) acres of use from the warranty start date, whichever occurs first. BW Implement Company also warrants to the original purchaser all new Tillage Equipment, along with attachments, to its authorized dealers and they in turn warrant the equipment to the original retail purchaser to be free from defects in material and workmanship under normal use and service for which intended for a period of six (6) months from the warranty start date. Implements used in construction or land development are warranted for a period of ninety (90) days from the warranty start date. This warranty is valid only if the machinery is set up properly and operated in accordance with the recommendations set forth in the Operator's Manual.

Our obligation under this warranty shall be limited to repairing or replacing, free of charge to the original purchaser, any part, or defect in material and workmanship, that in our judgment shows evidence of such defect, provided further that such part shall be returned within thirty (30) days of failure to BW Implement Company, routed through the dealer from whom the purchase was made, transportation charges prepaid.

This warranty shall not be interpreted to render BW Implement liable for injury or damages of any kind or nature to persons or property. This warranty does not extend to the loss of crops, loss due to delay in planting or harvesting, or any expense or loss incurred for labor, substitute machinery, rental or for any other reason.

This warranty is subject to any existing conditions of supply that may directly affect our ability to obtain materials or manufacture replacement parts.

BW Implement reserves the right to make improvements in design or changes in specifications at any time, without incurring any obligation to owners of units previously sold.

WARRANTY REGISTRATION REQUIRED

BW Implement Company shall have no obligations under this warranty unless the completed Warranty Registration form is returned to BW Implement Company within thirty (30) days of the sale of the product.

SECURING WARRANTY SERVICE

Warranty service will be performed by any authorized BW Implement Company dealer. At the time warranty service is requested, the purchaser must present evidence showing the equipment is eligible for warranty service

UNAPPROVED MODIFICATIONS OR ATTACHMENTS

The warranty obligations of BW Implement Company shall be terminated if equipment is modified or altered and such modification or alteration has not been approved by BW Implement Company, or if the equipment has been equipped with an attachment not approved by BW Implement Company

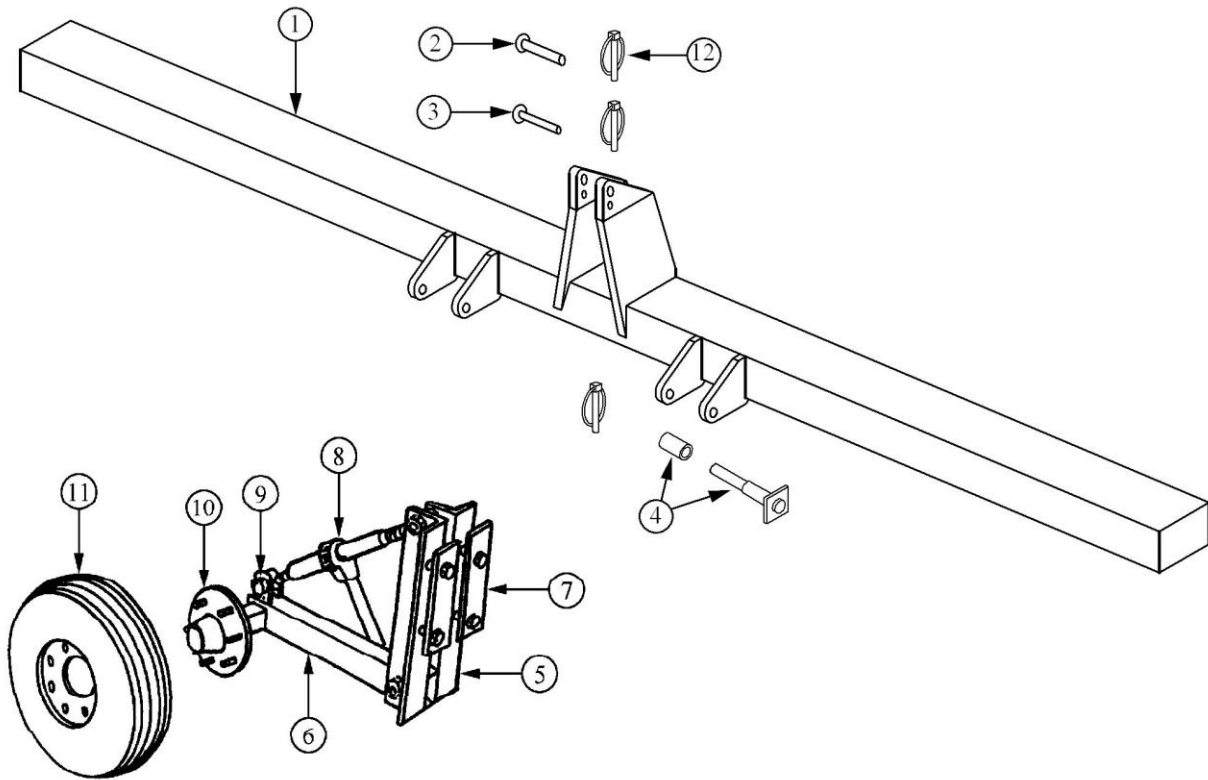
ACCIDENTS AND NORMAL MAINTENANCE

The provisions of this warranty do not apply to any equipment or components thereof, which in the judgment of the dealer or BW implement Company has been damaged by: (1) improper use; (2) accident; (3) lack of maintenance; (4) improper storage; (5) in the case of Mulchers and Power Cultivators, when used on an articulated tractor; (6) use when the tractor PTO horsepower rating exceeds the maximum horsepower rating established by BW Implement Company; (7) if repairs have been made with parts other than those obtained through BW Implement Company; (8) any other casualty or negligence. The following items are considered "Normal Wear" items and are **NOT** covered by this warranty: Mulcher Teeth, Bed Shaper Parts, all UHMW and plastic parts, Disc Blades, Disc Scraper Blades, Chisel and Ripper points and Wear Plates, Box and Drag Scraper Blades, Shredder Flails, Til-N-Pak Rings.

Except as stated above, no dealer, employee or representative of the dealer or BW Implement Company has any authority to bind BW Implement Company to any affirmation of fact, representation, or warranty concerning BW Implement Company manufactured equipment unless made in writing and executed by the General Manager and Chief Executive Officer of BW Implement Company. No one is authorized to alter, modify or enlarge this warranty nor the exclusion, limitations and reservations except the General Manager and Chief Executive Officer of BW Implement Company.

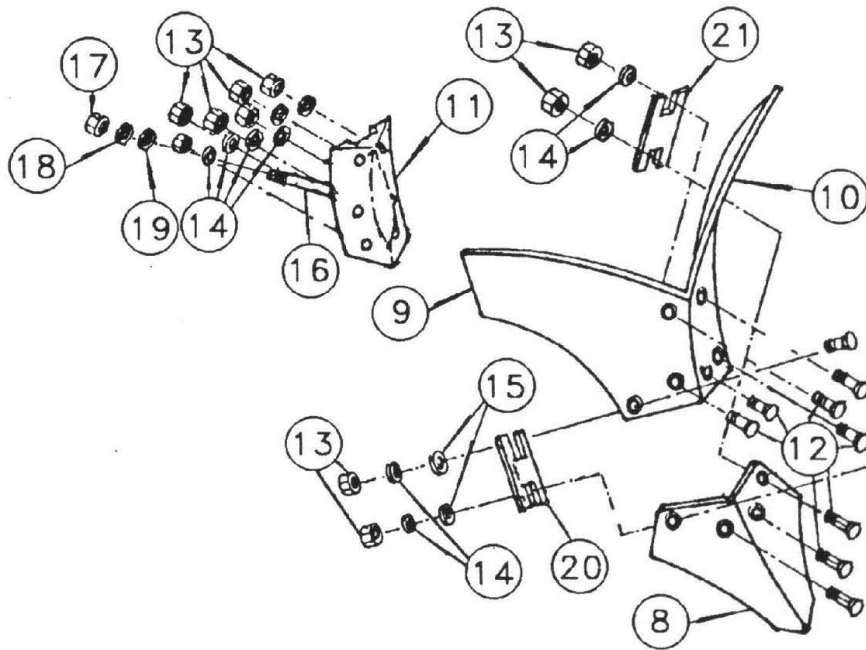
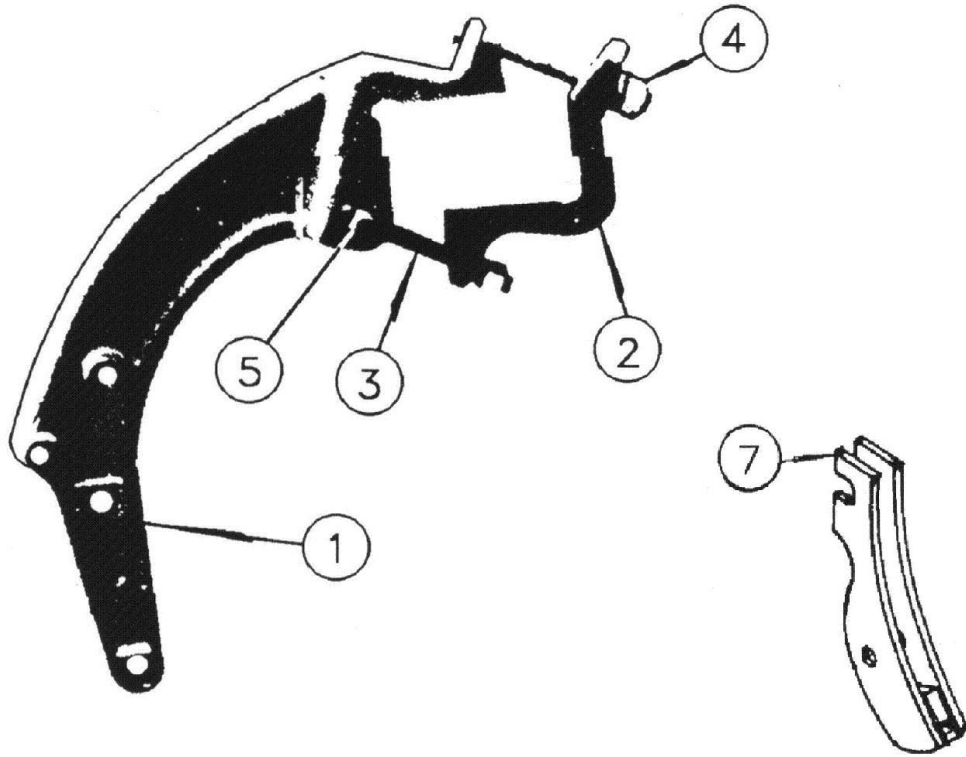
This warranty is given in lieu of all other warranties, whether express or implied, and BW Implement Company makes no representations or warranties expressed or implied, including the implied warranties of merchantability and fitness for particular purpose, except as specifically described in the warranty.

Main Frame Assembly



Ref.	Part No.	Description
1	LB57-264	LB6-40 Frame
2	BE9034	Upper Pull Pin – CAT III – H.D. Only
3	3011	Pivot Clamp Pin
4	4000-109 4000-108	Lower Pull – CAT II & III – H.D. Only – 2 Req. Pin Bushing
5	LBMB57	Mounting Bracket Assembly
6	LBGW57R LBGW57L	Spindle Assembly – RH Spindle Assembly - LH
7	D24-80	Mounting Strap
8	D24-82	Ratchet Assembly (Includes Ref. 9)
9	D24-81	Ratchet Pin
10	143013	Q888 Hub Assembly, Complete
11	143012A	Wheel and Tire
12	DKLP91	7/16" Lynch Pin – 4 Req.

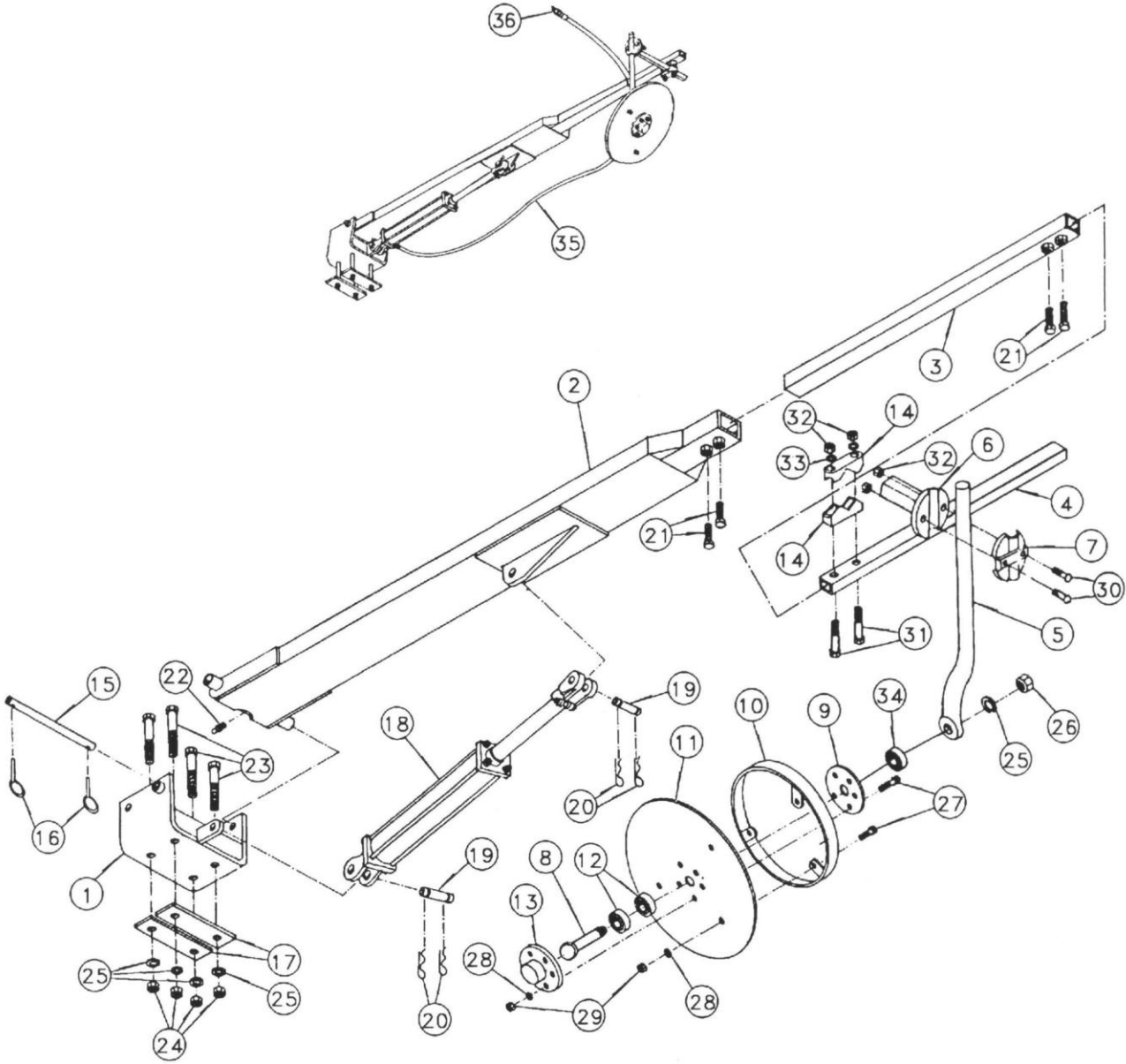
Lister Assembly



Lister Assembly

Ref.	Part No.	Description
--	WCB1134P	Complete Lister
1	SCB1134	Cast Steel Shank – 1 Req.
2	SC36	Cast Clamp Strap – 1 Req.
3	FPB1134	Pivot Bolt – 1 Req.
4	FHB1001050G2	Hex Bolt – 1 Req.
5	PBP1134 (BW04)	Pivot Shear Pin – 1 Req.
6	FHN100	1" Hex Nut – 6 Req.
7	FP1137	Lister Foot-piece (IH) – 1 Req.
	FP1137JD	Lister Foot-piece (JD) – 1 Req.
8	OA757P, C, or H 287P, C, or H	Lister Point (IH) – 1 Req. Lister Point (JD) – 1 Req.
9	03156R P2008R	R.H. Lister Wing (IH) – 1 Req. R.H. Lister Wing (JD) – 1 Req.
10	03157L P1884L	L.H. Lister Wing (IH) – 1 Req. L.H. Lister Wing (JD) – 1 Req.
11	LF1000 LF1000JD	Lister Frog (IH) – 1 Req. Lister Frog (JD) – 1 Req.
12	FPB76150	7/16" x 1 1/2" Plow Bolt – 10 Req.
13	FHN76	7/16" Hex Bolt – 10 Req.
14	FLW76	7/16" Lock Washer – 10 Req.
15	FFW76	7/16" Flat Washer – 4 Req.
16	FCB34600G5	3/4" x 6" Carriage Bolt – 1 Req.
17	FHN34	3/4" Hex Nut – 1 Req.
18	FLW34	3/4" Lock Washer – 1 Req.
19	G2FW5 / 16x2-116	Special Washer – 2 Req.
20	25767	R.H. Lister Wing Clip – 1 Req.
21	25768	L.H. Lister Wing Clip – 1 Req.

Row Marker



Row Marker

Ref.	Part No.	Description
--	HRM4060	Complete Marker Unit
1	RM1000	Tool Bar Bracket – 1 Req.
2	RM1100	Upper Extension Arm – 1 Req.
3	RM1200	Center Extension Arm – 1 Req.
4	RM1300	Lower Extension Arm – 1 Req.
5	RM1400	Marker Standard – 1 Req.
6	7535703	Shank Bracket – 6 Req.
7	7535702	Shank Clamp – 1 Req.
8	7500609	Disk Axle – 1 Req.
9	7500612	Disk Plate – 1 Req.
10	RM1500	Disk Support Ring – 1 Req.
11	AS12180P	Disk Blade – 1 Req.
12	7500601	Bearing – 2 Req.
13	7500608B	Disk Hub Casting – 1 Req.
14	7535701	Clamp Bracket– 2 Req.
15	RM1600	Pivot Rod – 1 Req.
16	1493	Lynch Pin – 2 Req.
17	HRMFB5070	Clamp Straps – 2 Req.
18	RM1700	Hydraulic Cylinder – 1 Req.
19	CP300	Cylinder Pin – 2 Req.
20	1573	Safety Pin – 2 Req.
21	FSHSS12200	½” x 2” Set Screw – 2 Req.
22	C300Z	Grease Zerk – 1 Req.
23	FCB34700G5	¾” x 7” Carriage Bolt – 4 Req.
24	FHN34	¾” Hex Nut – 4 Req.
25	FLW38	¾” Lock Washer – 5 Req.
26	FJN34	¾” Jam Nut – 1 Req.
27	FHB38150G5	3/8” x 1 ½” Hex Bolt – 8 Req.
28	FLW38	3/8” Lock Washer – 8 Req.
29	FHN38	3/8” Hex Nut – 8 Req.
30	FCB12300G5	½” x 3” Carriage Bolt – 2 Req.
31	FHB12400G5	½” x 4” Hex Bolt – 2 Req.
32	FHN12	½” Hex Nut – 4 Req.
33	FLW12	½” Lock Washer – 4 Req.
34	7500611	Spacer – 1 Req.
35	G70391	3/8” x 15 ½’ Hydraulic Hose 3/8” x 16 ½’ Hydraulic Hose
36	8010-4	Pioneer Fittings