

BWImplement Co.

288 W. FRONT STREET
P.O. BOX 758
BUTTONWILLOW, CA 93206
PHONE 661-764-5254
FAX 661-764-5253
www.bwimp.com



RS-814

14' Drag Scraper
Double Wheels

Version: 12.11.15

Operators Manual

Drag Scraper Information:

Serial #: _____

Date Manufactured: _____

Width: _____ 14 ft. _____

Wheels: _____ Dual _____

Approx Weight: _____ 2,200 lbs. _____

BW IMPLEMENT COMPANY WARRANTY

LIMITED WARRANTY STATEMENT

BW Implement Company warrants to the original purchaser all new Culti-Mulch Equipment, along with attachments, to its authorized dealers and they in turn warrant the equipment to the original retail purchaser to be free from defects in material and workmanship under normal use and service for which intended for a period of one (1) season or one thousand (1000) acres of use from the warranty start date, whichever occurs first. BW Implement Company also warrants to the original purchaser all new Tillage Equipment, along with attachments, to its authorized dealers and they in turn warrant the equipment to the original retail purchaser to be free from defects in material and workmanship under normal use and service for which intended for a period of six (6) months from the warranty start date. Implements used in construction or land development are warranted for a period of ninety (90) days from the warranty start date. This warranty is valid only if the machinery is set up properly and operated in accordance with the recommendations set forth in the Operator's Manual.

Our obligation under this warranty shall be limited to repairing or replacing, free of charge to the original purchaser, any part, or defect in material and workmanship, that in our judgment shows evidence of such defect, provided further that such part shall be returned within thirty (30) days of failure to BW Implement Company, routed through the dealer from whom the purchase was made, transportation charges prepaid.

This warranty shall not be interpreted to render BW Implement liable for injury or damages of any kind or nature to persons or property. This warranty does not extend to the loss of crops, loss due to delay in planting or harvesting, or any expense or loss incurred for labor, substitute machinery, rental or for any other reason.

This warranty is subject to any existing conditions of supply that may directly affect our ability to obtain materials or manufacture replacement parts.

BW Implement reserves the right to make improvements in design or changes in specifications at any time, without incurring any obligation to owners of units previously sold.

WARRANTY REGISTRATION REQUIRED

BW Implement Company shall have no obligations under this warranty unless the completed Warranty Registration form is returned to BW Implement Company within thirty (30) days of the sale of the product.

SECURING WARRANTY SERVICE

Warranty service will be performed by any authorized BW Implement Company dealer. At the time warranty service is requested, the purchaser must present evidence showing the equipment is eligible for warranty service

UNAPPROVED MODIFICATIONS OR ATTACHMENTS

The warranty obligations of BW Implement Company shall be terminated if equipment is modified or altered and such modification or alteration has not been approved by BW Implement Company, or if the equipment has been equipped with an attachment not approved by BW Implement Company

ACCIDENTS AND NORMAL MAINTENANCE

The provisions of this warranty do not apply to any equipment or components thereof, which in the judgment of the dealer or BW implement Company has been damaged by: (1) improper use; (2) accident; (3) lack of maintenance; (4) improper storage; (5) in the case of Mulchers and Power Cultivators, when used on an articulated tractor; (6) use when the tractor PTO horsepower rating exceeds the maximum horsepower rating established by BW Implement Company; (7) if repairs have been made with parts other than those obtained through BW Implement Company; (8) any other casualty or negligence. The following items are considered "Normal Wear" items and are **NOT** covered by this warranty: Mulcher Teeth, Bed Shaper Parts, all UHMW and plastic parts, Disc Blades, Disc Scraper Blades, Chisel and Ripper points and Wear Plates, Box and Drag Scraper Blades, Shredder Flails, Til-N-Pak Rings.

Except as stated above, no dealer, employee or representative of the dealer or BW Implement Company has any authority to bind BW Implement Company to any affirmation of fact, representation, or warranty concerning BW Implement Company manufactured equipment unless made in writing and executed by the General Manager and Chief Executive Officer of BW Implement Company. No one is authorized to alter, modify or enlarge this warranty nor the exclusion, limitations and reservations except the General Manager and Chief Executive Officer of BW Implement Company.

This warranty is given in lieu of all other warranties, whether express or implied, and BW Implement Company makes no representations or warranties expressed or implied, including the implied warranties of merchantability and fitness for particular purpose, except as specifically described in the warranty.



B.W. Implement Co.

288 W. Front Street
P.O. Box 758
Buttonwillow, Ca. 93206-0758

Phone (661) 764-5254
Fax (661) 764-5253
www.bwimp.com

PULL TYPE SCRAPER

Thank you for purchasing a B.W. Implement Company Scraper. Our equipment is manufactured to precise specifications using the best quality parts and materials available. With proper care and maintenance, this piece of equipment should last for many years. Before operating this scraper, thoroughly read and become familiar with this manual.

Your Scraper was assembled at the factory. For shipping purposes, the tongue was not installed. To install tongue, remove bolts on moldboard braces and bolts on the main tube. Slip tongue into moldboard braces and replace bolt, lift tongue up so the plate on the tongue reaches the plate on main tube, replace bolts, and tighten. Unwrap hydraulic hoses and place them through the hose guide and tighten nut. Make sure all nuts and bolts are tight before using.

ADJUSTMENT ON HEAVY DUTY MODELS

Your BW Drag Scraper is designed for different jobs, and has an adjustment link on one wheel strut. This link can raise or lower that side of the scraper. If this adjustment is made, the scraper will be working on a slant. To adjust in this mode after the scraper is hooked up to the tractor, lower the scraper down and pick wheels up. On the adjusting link, loosen the 1" nuts on the strut. If you wish to cut more on this side, tighten the ¾" nuts on the adjusting link. If you wish to cut more on the opposite side, loosen the ¾" nuts. Adjust to the desired position and re tighten the 1" nuts. If level cutting is desired, then the struts should be adjusted evenly. Make sure the tires are properly inflated.

Improper adjustments can cause problems. If problems should occur after following instructions in the manual, check the Trouble Shooting chart below for possible remedies.

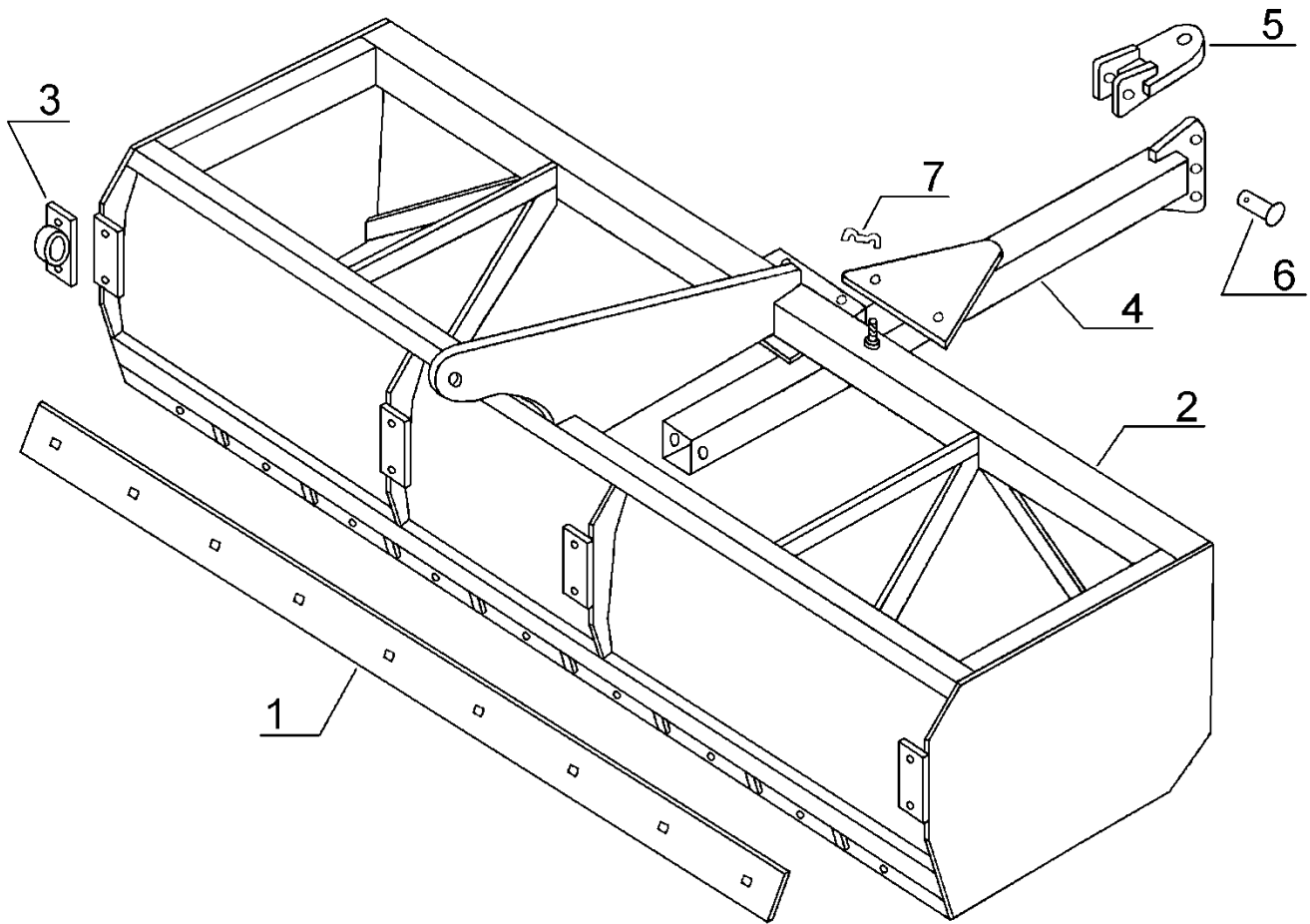
MAINTENANCE

- Regularly check all nuts and bolts and make sure they are tight.
- Regularly check scraper blade. Replace as needed.
- Regularly check tires for correct tire pressure as recommended on tire by manufacturer.
- Check lugs on wheels. Make sure they are tight.
- Grease wheel bearings every 150 hours of operation.
- Grease wheel axle bearing every 10 hours of operation.
- Store out of weather if possible.

TROUBLE SHOOTING CHART

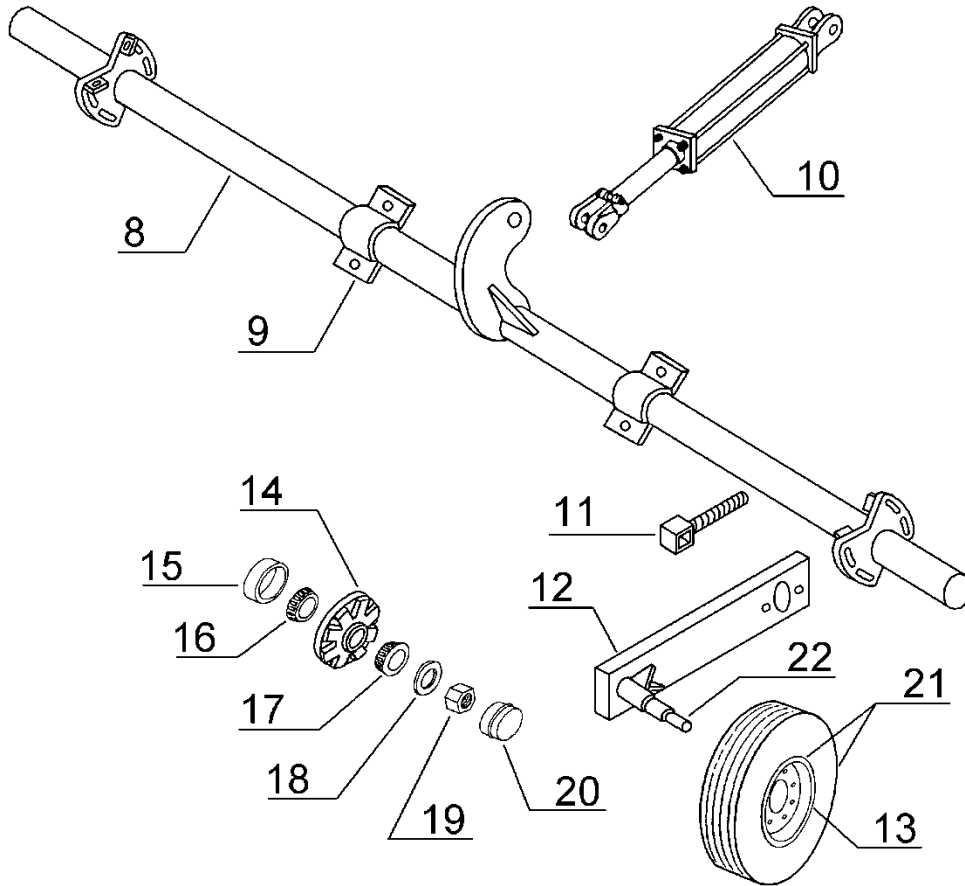
PROBLEM	POSSIBLE REMEDY
Scraper cutting deeper on one side than the other	<ul style="list-style-type: none">• Tires under inflated or flat. Inflate or repair as needed.
Scraper not cutting or not carrying enough dirt	<ul style="list-style-type: none">• Check scraper blade. Replace if needed.• Scraper not lowered far enough and not making contact with ground. Lower as needed.• Ground too hard.
Scraper hard to pull or carrying too much dirt	<ul style="list-style-type: none">• Scraper lowered too far. Raise as needed.

Main Frame



Ref.	Part No.	Description
1	RS814-SB	14' Scraper Blade – Reversible
2	RS814-MF	14' Main Frame
3	RS1126	Outside Bearing and Cap
4	RS113	Hitch Mounting Bar
5	RS114	Hitch Bar Clevis
6	RS115	Hitch Bar Clevis Pin
7	770108	Hydraulic Hose Clamp

Wheel & Axle Assembly



Ref.	Part No.	Description
8	RS120NA	14' Wheel Axle Shaft
9	RS122	Inside Axle Bearing
10	RS112	Hydraulic Cylinder
11	RS110	Adjustment Link with Nut
12	RS125	Wheel Strut with Double Spindle
13	143012	Wheel
14	143013	Wheel Hub Complete
15	143014	Hub Seal
16	143015	Inner Bearing
17	143016	Outer Bearing
18	143022	Spindle Washer
19	143021	Spindle Nut
20	143019	Hub Dust Cover
21	143012A	Wheel and Tire
22	Q888	Single Spindle