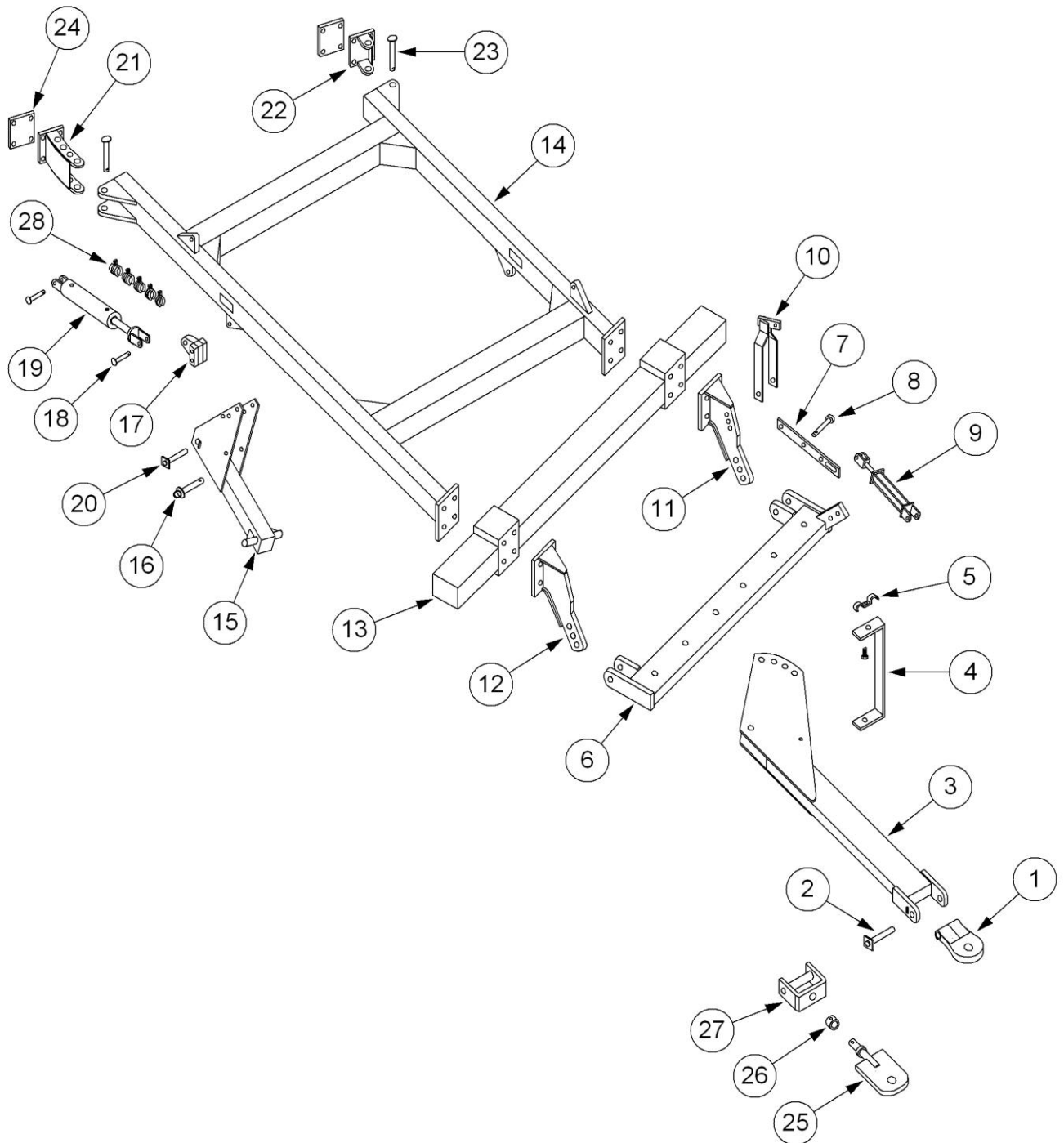


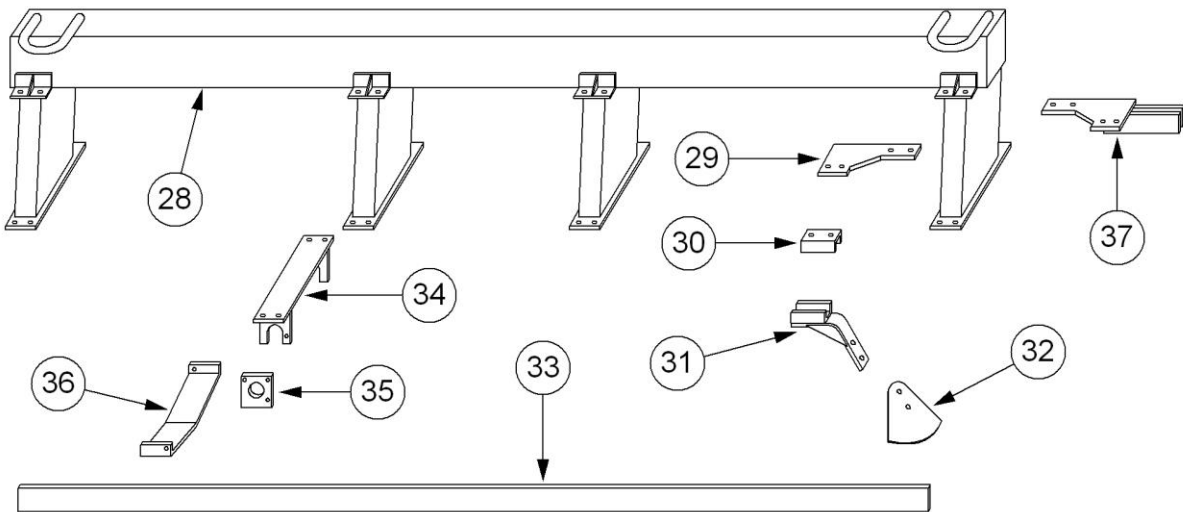
Main Frame



Main Frame

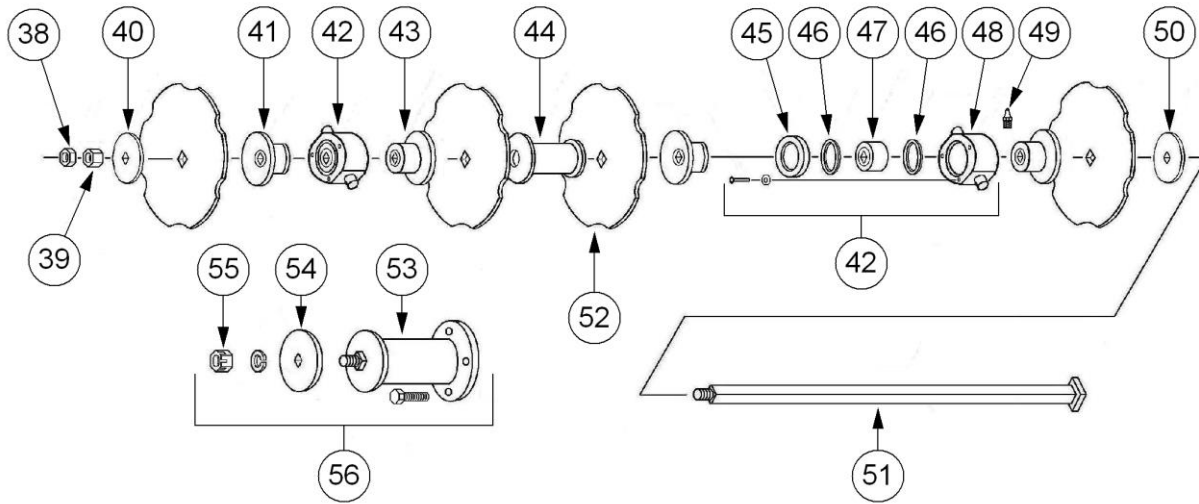
Ref.	Part No.	Description
1	DTO5048	Clevis
2	DTO5024	Clevis Bolt
3	DTO5057	Tongue
4	DTO5054	Tongue Hose Guide
5	770108	Hydraulic Hose Clamp
6	DTO5058	Drawbar
7	DTO5059	Leveling Bar
8	DTO5061	Leveling Pin
9	DTO5023	Leveling Cylinder, Tongue
10	DTO5060	Leveling Mechanism
11	DTO5062	Left Pull Bar
12	DTO5063	Right Pull Bar
13	DTO5064-9	Front Gang Beam – 9' 9"
	DTO5064A	Front Gang Beam – 13' 0"
	DTO5064B	Front Gang Beam – 14' 1"
	DTO5064C	Front Gang Beam – 15' 2"
	DTO5064D	Front Gang Beam – 16' 3"
	DTO5064E	Front Gang Beam – 17' 4"
	DTO5064F	Front Gang Beam – 19' 6"
	DTO5064G	Front Gang Beam – 21' 7"
14	DTO5065SMF	Main Frame – 9' 9"
	DTO5065	Main Frame – 13'-17' 4"
15	DTO5066	Gauge Wheel
16	DTO5040	Transport Pin
17	DTO5067	Gauge Wheel Cylinder Block
18	DTO5047	Hydraulic Cylinder Pin
19	DTO5046	Hydraulic Cylinder
20	DTO5068	Gauge Wheel Pin
21	DTO5070	Pivot Adjusting Hinge
22	DTO5069	Pivot Hinge
23	DTO5076	Hinge Pin
24	DTO5071	Hinge Adjusting Plate
25	DTO5048A	Swivel Clevis
26	DTO5048L	Swivel Clevis Lock
27	DTO5048CM	Swivel Clevis Mount
28	RS840	Cylinder Depth Stops (Set of 5)

Rear Gang Frame



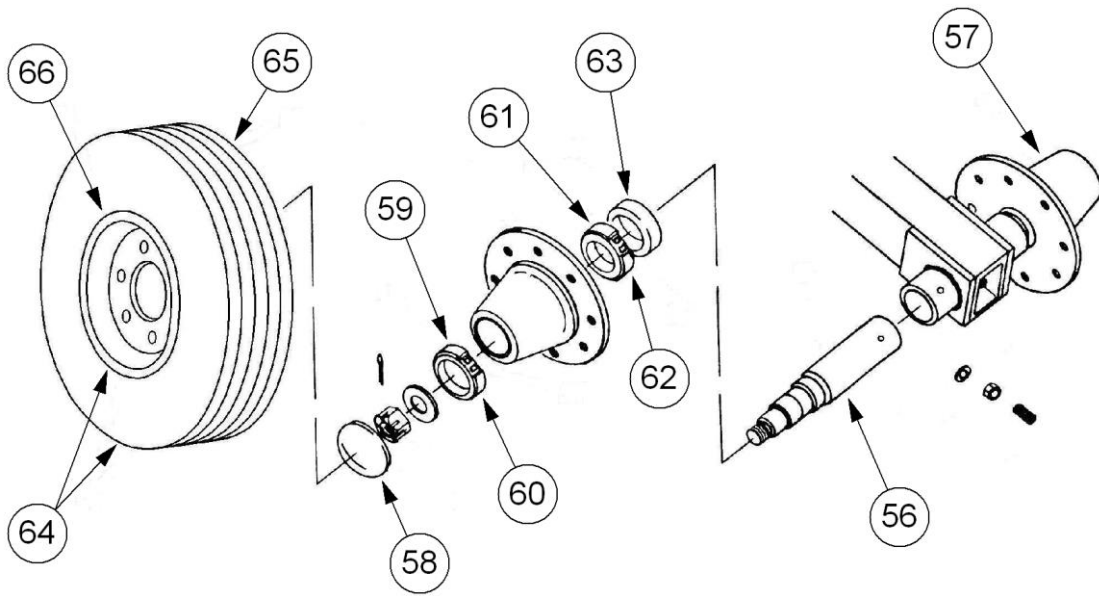
Ref.	Part No.	Description
28	DTO5073-9	Rear Gang Beam – 9' 9"
	DTO5073A	Rear Gang Beam – 13' 0"
	DTO5073B	Rear Gang Beam – 14' 1"
	DTO5073C	Rear Gang Beam – 15' 2"
	DTO5073D	Rear Gang Beam – 16' 3"
	DTO5073E	Rear Gang Beam – 17' 4"
	DTO5073F	Rear Gang Beam – 19' 6"
	DTO5073G	Rear Gang Beam – 21' 7"
29	DTO5072	Scraper Bar Mount Plate
30	DTO5037	Scraper Bar & Arm Cap
31	DTO5028F	Scraper Mount Arm – Front
	DTO5028R	Scraper Mount Arm – Rear
32	DTO5027	Scraper Blade
33	DTO5074-9	Scraper Bar – 9' 9"
	DTO5074A	Scraper Bar – 13' 0"
	DTO5074B	Scraper Bar – 14' 1"
	DTO5074C	Scraper Bar – 15' 2"
	DTO5074D	Scraper Bar – 16' 3"
	DTO5074E	Scraper Bar – 17' 4"
	DTO5074F	Scraper Bar – 19' 6"
	DTO5074G	Scraper Bar – 21' 7"
34	DTO5051	Bearing Mount
	DTO5055	Bearing Mount – TRB
35	DTO5053	Bearing Mount Plate
36	DTO5052	Bearing Guard
	DTO5056	Bearing Guard – TRB
37	DTO5072E	Extension Scraper Assembly

DTO Gangs



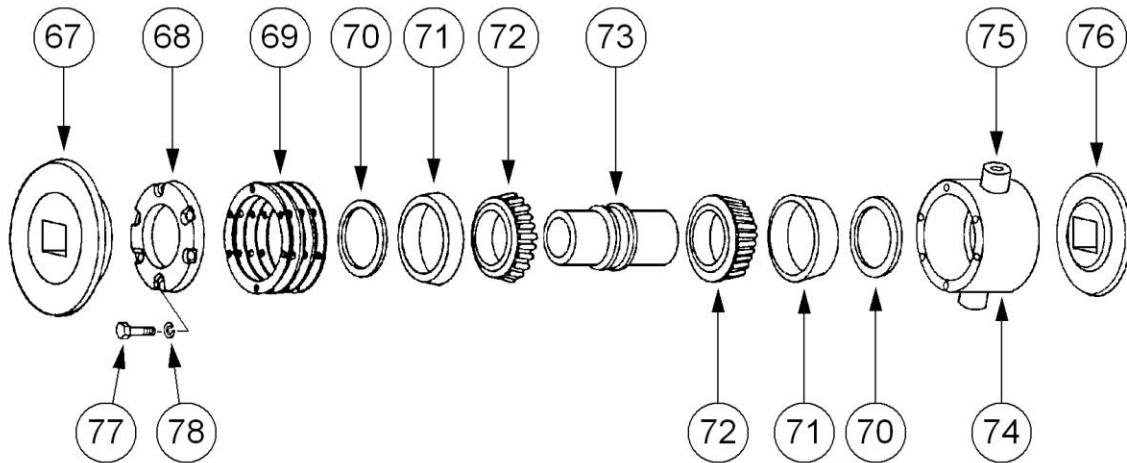
Ref.	Part No.	Description
38	DTO5004	Axle Jam Nut
39	DTO5003	Axle Nut
40	DTO5001	Nut Washer
41	DTO5005	Half Spool, Convex
42	DTO5012 DTO5012A	Complete Bearing Housing with Seal Complete Bearing Housing without Seal
43	DTO5006	Half Spool, Concave
44	DTO5007	Full Spool
45	DTO5016	Ring
46	DTO5017	Seal
47	DTO5015	Bearing
48	DTO5014	Housing
49	1409-5000	Grease Zerk
50	DTO5000 DTO5000A	Bumper Washer, Plain – 3 Req. Bumper Washer, Threaded – 1 Req.
51	DTO5011 DTO5075 DTO5008 DTO5009 DTO5010	Axle, 4-Blade Axle, 5-Blade Axle, 6-Blade Axle, 7-Blade Axle, 8-Blade
52	-----	Disc Blades – Call and specify
53	DTO5042	Furrow Filler Spool
54	DTO5043	Concave Washer
55	DTO5045	1 3/4" Slotted Nut
56	DTO5041	Furrow Filler Complete (less Blade)

Hub Assembly



Ref.	Part No.	Description
56	770039A	Slip-on Spindle (Q821)
57	770038	Hub Complete
58	DTO5029	Dust Cap
59	DTO5030	Outer Race
60	DTO5034	Outer Bearing
61	DTO5032	Inner Race
62	DTO5033	Inner Bearing
63	DTO5031	Seal
64	DTO5080A	Wheel & Tire
65	DTO5080	Tire – 12L x 15
66	DTO5036	8 on 8 Wheel

Tapered Roller Bearing – 2 ¼” Square



Ref.	Part No.	Description
67	2250001	Concave Flange – Large
68	2250002	Housing Cap
69	2250003	Shim Set (8 pc.)
70	2250004	Seal Set (2 pc.)
71	2250005A	Cup
72	2250005	Cone
73		Sleeve Assembly
	2250006	- 13” Spacing
	2250007	- 14” Spacing
	2250008	- 15” Spacing
	2250009	- 16” Spacing
	2250010	- 17” Spacing
	2250011	- 18” Spacing
	2250012	- 20” Spacing
74	2250013	Housing
75	1409-5000	Grease Fitting
76	2250015	Convex Flange – Small
77	2250016	Housing Cap Bolt
78	2250017	Housing Cap Lock Washer
*	2250018	Repair Kit (Ref. 69-72 & 77-78)
*	2250225S130	TRB Complete – 13” Spacing
	2250225S140	TRB Complete – 14” Spacing
	2250225S150	TRB Complete – 15” Spacing
	2250225S160	TRB Complete – 16” Spacing
	2250225S170	TRB Complete – 17” Spacing
	2250225S180	TRB Complete – 18” Spacing
	2250225S200	TRB Complete – 20” Spacing